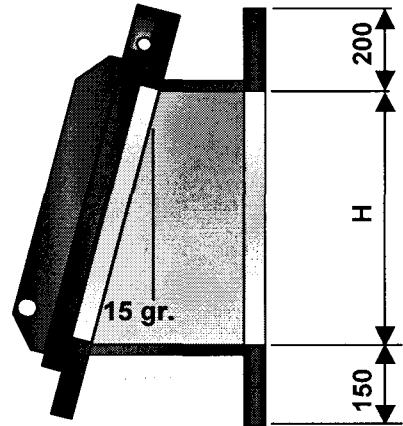


Front view



Section

Measurements in mm.

H	B	possibilities					up to 2700
	200	400	600	800	1000		
200	*	*	*	*	*	*	
300		*	*	*	*	*	
400		*	*	*	*	*	
500			*	*	*	*	
600			*	*	*	*	
700				*	*	*	
800				*	*	*	
900					*	*	
1000					*	*	

- Application** : End valve for surface water, sewers and other aggressive environments.
- Max. pressure** : 5 Metres head of water (for a short period).
- Materials** : Valve- and backplate HDPE.
Solid axle and ballast weight stainless steel 316.
Valve seal EPDM compound is attached on the rear face of the flapvalve.
- Interface** : EPDM compound between the square flange plate and wall.
- Mounting** : Chemical anchor bolts or moulded bolts.
- Remarks** : Larger sizes and special shapes can be produced upon request.