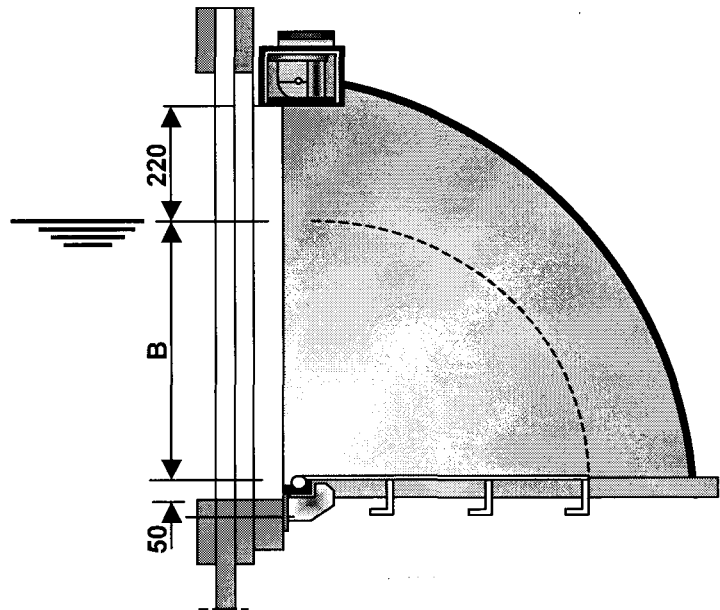


Front view



Section

Measurements in mm.

B	A	possibilities					
		500	1000	1500	2000	2500	3000
300		*	*	*	*	*	*
400		*	*	*	*	*	*
500		*	*	*	*	*	*
600		*	*	*	*	*	*
700		*	*	*	*	*	*
800		*	*	*	*	*	*
900		*	*	*	*	*	*
1000		*	*	*	*	*	*
1100		*	*	*	*	*	*
1200		*	*	*	*	*	*
1300		*	*	*	*	*	*
1400		*	*	*	*	*	*
1500		*	*	*	*	*	*

- Application** : For use in surface water, continuously variable water level regulation for the upstream level.
- Materials** : Flashboard and frame stainless steel 304 or 316L.  
HDPE slide bars inside the frame, and as a finish under the upper bridge.  
EPDM sealing rubber in the frame.
- Interface** : EPDM compound between the tilting weir and wall.
- Mounting** : KWT recommends to install the tilting weir on the low pound side, and to mount it with anchor bolts.
- Operation** : Several possibilities see page 7.01.
- Remarks** : Operation point can be placed left or right.  
: Larger sizes and special shapes can be produced upon request.