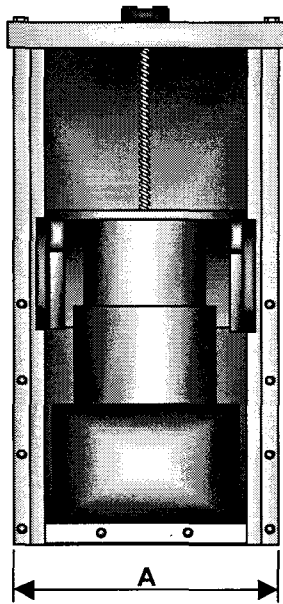
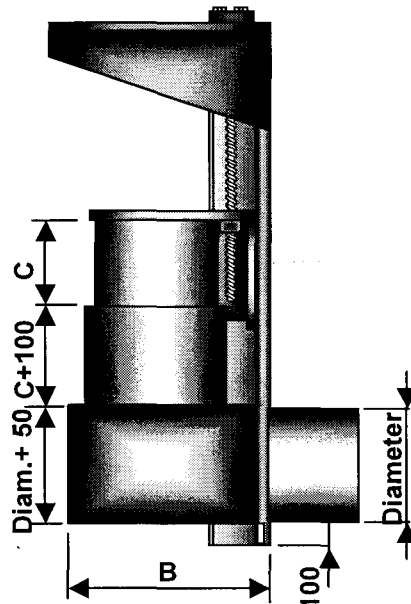


Top view



Front view



Side view

Measurements in mm.

NW	stroke		stroke		
	Diam.	A	B	C	
				min.	max.
300	315	700	600	100	1000
400	400	800	700	100	1000
500	500	900	800	100	1000
600	630	1000	900	100	1000
700	710	1100	1000	100	1000
800	800	1200	1100	100	1000

- Application** : For use in surface waters, sewers and other aggressive environments.
Variable water-level control regulation of the high pound.
Connection with a double normandy joint on HDPE or PVC pipes.
- Materials** : The KSD is mainly constructed out of HDPE.
Frame and spindle stainless steel.
- Operation** : The KSD can easily variable be adjusted by means of a stainless steel spindle.
- Mounting** : KWT recommends to install the KSD on a wall or between a minimum of two poles. This way the pipe is prevented from too much tension.
- Remarks** : A covering roof is optional (to been seen at the side view)
: Larger sizes and special shapes can be produced upon request.