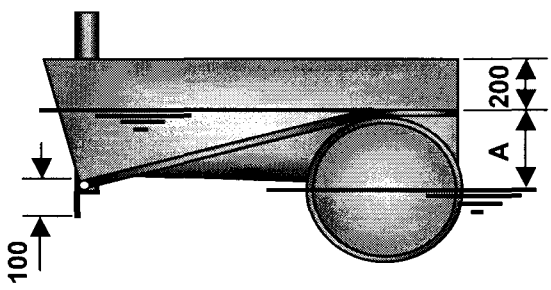
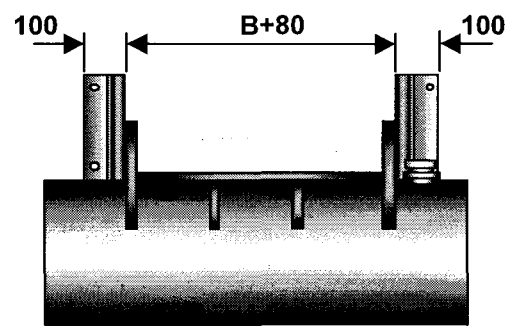


Top view



Section



Front view

Measurements in mm.

A	B	possibilities						
		500	1000	1500	2000	2500	3000	3500
150		*	*	*	*	*	*	*
200		*	*	*	*	*	*	*
250		*	*	*	*	*	*	*
300		*	*	*	*	*	*	*
350		*	*	*	*	*	*	*
400		*	*	*	*	*	*	*
t/m		*	*	*	*	*	*	*
1000		*	*	*	*	*	*	*

- Application** : In surface water.
The floating weir can be used in cases where a constant water-level difference must be kept between the high and the low pound.
- Materials** : The floater and weir valve are constructed out of HDPE.
Frame stainless steel and provided with HDPE conductions.
EPDM sealing rubber.
- Interface** : EPDM compound between floating weir and wall.
- Operation** : The KDS is variable adjustable by increasing or decreasing the weight of the floater. By changing the volume of water in the float construction.
- Mounting** : KWT recommends to install the tilting weir on the low pound side, and to mount it with anchor bolts.
- Remarks** : Larger sizes and special shapes can be produced upon request.